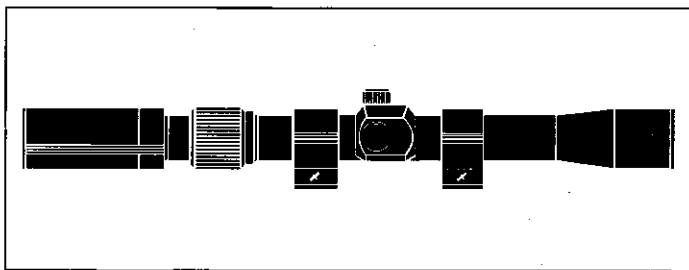


# Avid Optical

## ASSEMBLY INSTRUCTIONS

# AIR PELLET GUN SCOPE



### THANK YOU FOR BUYING AVID OPTICAL

Your new AIR PELLET GUN SCOPE has been engineered and manufactured to Avid Optical high standards for dependability, ease of operation, and operator safety. Properly cared for, it will give you years of rugged, trouble-free performance.

**⚠ CAUTION:** Carefully read through this entire operator's manual before using your new product.

Pay close attention to the Rules for Safe Operation, Warnings, and Cautions. If you use your product properly and only for what it is intended, you will enjoy years of safe, reliable service.

**SAVE THIS MANUAL FOR FUTURE REFERENCE**

Made to Exact Standards in China for **Avid  
Optical**

Customer Service Postal Address:

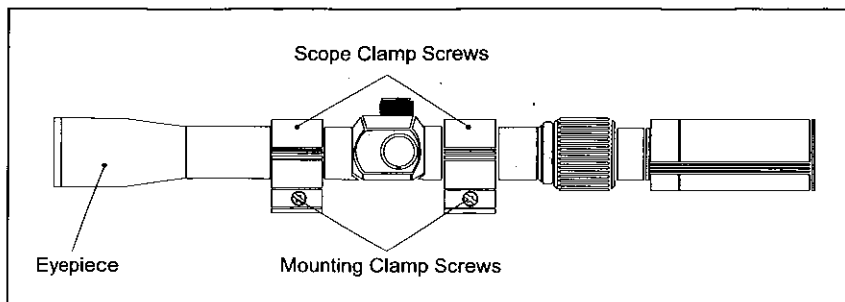
1290 35 Road

Minden, NE 68959

voice: 1-(308) 832-2070

fax: 1-(308) 832-2069

You can purchase additional items at [www.cumminstools.com](http://www.cumminstools.com)



## MOUNTING

**BE SURE GUN IS NOT LOADED AND ACTION IS OPEN BEFORE PROCEEDING. USE SAFE GUN HANDLING PROCEDURES AT ALL TIMES.**

1. Loosen Eyepiece Locking Ring and point scope toward a featureless, lit, bright area like a wall or open sky.

**CAUTION: VIEWING THE SUN CAN CAUSE SERIOUS EYE INJURY. NEVER LOOK DIRECTLY AT THE SUN WITH NAKED EYE OR WITH THIS SCOPE.**

Rotate eyepiece left or right as needed until reticle appears sharp and clear to you. Retighten locking ring. You will not have to make this adjustment again.

2. Loosen mounting clamp screws. Slide screws into dovetail grooves on receiver of your rifle or air guns.

**NOTE:** Do not attempt to mount this scope on high powered sporting or military rifles as the eye relief is inadequate. Serious eye damage can result if this scope is used on guns with recoil greater than that of .22 caliber rifles and air guns.

3. Move scope forward or backward until eyepiece position is most comfortable for you when rifle is held in shooting position. Tighten clamp screws.
4. If reticle appears tilted, loosen scope clamp screws and rotate scope until reticle is perpendicular to the bore. Retighten clamp screws.

## ZEROING

Use OEC'S #30 Shot Saver which has its own instructions or use the method outlined below.

1. At an approved range or other safe area and using proper gun handling safety procedures, test fire three rounds at target.
2. **NOTE:** If you have zoom model, test firing should be done at the highest power setting. If bullets or pellets did not strike the point of aim, remove the windage and elevation caps and turn the dials in the direction needed to bring your next shot group to your point of aim.
3. Repeat Step #1