



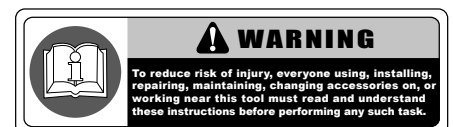
6 SOLAR LIGHTS

THANK YOU FOR BUYING CUMMINS INDUSTRIAL TOOLS
You can purchase additional items at
www.cumminstools.com

SAVE THIS MANUAL FOR FUTURE REFERENCE



Customer Service Postal Address:
1290 35 Road
Minden, NE 68959
Voice: 1-(308) 832-2070
Fax: 1-(308) 832-2069



Your new 6 SOLAR LIGHTS has been engineered and manufactured to Cummins Industrial Tools high standards for dependability, ease of operation, and operator safety. Pay close attention to the Rules for Safe Operation, Warnings, and Cautions. If you use your machine properly and only for what it is intended, you will enjoy years of safe, reliable service.

TABLE OF CONTENTS

■ Introduction	1
■ General Safety Rules	2
■ Product Specifications	3
■ Unpacking	3
■ Feature	3
■ Assembly	4
■ Operation	4
■ Troubleshooting	5
■ Maintenance	5
■ Guarantee And Parts	5

INTRODUCTION

- THIS PRODUCT has many features which make it's use more pleasant and enjoyable. Safety, performance, and dependability have been given top priority in the design of this product making it easy to maintain and operate.

⚠ WARNING: Do not attempt to use this product until you thoroughly read and completely understand the operator's manual. Pay close attention to the safety rules, including Dangers, Warnings, and Cautions. If you use your product properly and only as intended, you will enjoy years of safe, and reliable service.

- ⚠** Look for this symbol to point out important safety precautions. It means attention!!! Your safety is involved.



⚠ WARNING: The operation of any tool can result in foreign objects being thrown into your eyes, which can result in severe eye damage. Before beginning operation, always wear safety goggles or safety glasses with side shields and a full face shield when needed. We recommend Wide Vision Safety Mask for use over eyeglasses or standard safety glasses with side shields. Always wear eye protection which is marked to comply with ANSI Z87.1.

GENERAL SAFETY RULES

⚠ WARNING: When using tool, basic safety precautions should always be followed to reduce the risk of personal injury and damage to equipment. Read all instructions before using the tool!

- **Work area conditions.** Cluttered areas invite injuries.
- **Additional work area conditions.** Do not use machines or power tools in damp or wet locations. Do not expose to rain. Keep work area well lighted.
- **Keep children away.** Children must never be allowed in the work area. Do not let them handle machines, tools or extension cords.
- **Store idle equipment.** When not in use, tools must be stored in a dry location to inhibit rust. Always lock up tools and keep out of reach of children.
- **Use the right tool for the job.** Do not attempt to force a small tool or attachment to do the work of a larger industrial tool. There are certain applications for which this tool was designed. It will do the job better and more safely at the rate for which it was intended. Do not modify this tool and do not use this tool for a purpose for which it was not intended.
- **Dress properly.** Do not wear loose clothing or jewelry as they can be caught in moving parts. Protective, electrically non-conductive clothes and non-skid footwear are recommended when working. Wear restrictive hair covering to contain long hair.
- **Use eye protection.** Always wear ANSI approved impact safety glasses underneath a full face shield during use. Also, wear heavy duty work gloves.
- **Do not overreach.** Keep proper footing and balance at all times. Do not reach over or across running machines.
- **Maintain tools with care.** Keep tools sharp and clean for better and safer performance. Follow instructions for lubricating and changing accessories. The handles must be kept clean, dry, and free from oil and grease at all times.
- **Remove adjusting keys and wrenches.** Check that keys and adjusting wrenches are removed from the tool or machine work surface before starting work.
- **Stay alert.** Watch what you are doing, use common sense. Do not operate any tool when you are tired.
- **Check for damaged parts.** Before using any tool, any part that appears damaged should be carefully checked to determine that it will operate properly and perform its intended function. Any part that is damaged should be replaced.
- **Replacement parts and accessories.** When servicing, use only identical replacement parts. Use of any other parts will void the warranty. Only use accessories intended for use with this tool. Approved accessories are available from Cummins Industrial Tools.
- **Do not operate tools if under the influence of alcohol or drugs.** Read warning labels on prescriptions to determine if your judgment or reflexes are impaired while taking drugs. If there is any doubt, do not operate the tool.

⚠ WARNING: The warnings, cautions, and instructions discussed in this instruction manual cannot cover all possible conditions and situations that may occur. It must be understood by the operator that common sense and caution are factors which cannot be built into this product, but must be supplied by the operator.

PRODUCT SPECIFICATIONS

- Sun powered solar lights are the safest and easiest way to add accent lighting to your home: driveways, walkways, steps, and backyard areas.
- Easy to install with no wires or cables needed.
- White LED light provides a bright and pure glow.
- Stainless steel body resists holds up in extreme weather conditions.
- Length: 13" H.

UNPACKING

INSTRUCTIONS

When unpacking the tool:

- Carefully remove the tool and accessories from the box.
- Make sure that all items listed in the packing list are included.
- Inspect the tool carefully to make sure no breakage or damage occurred during shipping.
- Do not discard the packing material until you have carefully inspected and satisfactorily operated the tool.

⚠WARNING: If any parts are missing do not operate the tool until the missing parts are replaced. Failure to do so could result in possible serious personal injury.

Contents

- 6 Solar Lights
- 6 Ground Stakes

FEATURE

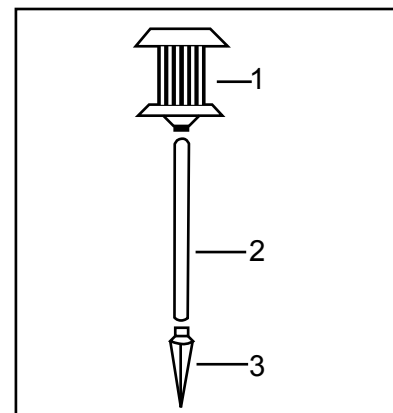
- Each light is solar powered by a high quality solar panel.
- Automatic sensor turns the light on at dusk.
- Each light has one Solar Rechargeable AA Ni-Cad batteries included.
- Each light has an On/Off switch.

ASSEMBLY

Ground Mounting Steps

- 1- Insert a ground stake (#3) into a mounting pole (#2).
- 2- Push the stake directly into the ground- DO NOT hammer.
- 3- Carefully install the solar light (#1) on the upper part of the mounting pole (#2).
- 4- Adjust the switch under the cover of the light unit to "ON" position.

NOTE: To avoid damage do not install stake in ground with light attached.



OPERATION

Pick a Sunny Location for Maximum Solar Recharging

- 1- The solar light must be located in a position where it can get direct sunlight on the solar panel, and generally free from cover and shade.
- 2- Make sure that the photo sensor (located on the top of the light) is not going to be affected by other types of light sources. Otherwise, the light will not illuminate properly at dusk.
- 3- Initially, the Solar light must be left to charge for 2 sunny days before best results are achieved.

Automatic Recharging

- 1- For daily/normal operation, turn the switch to the "ON" position, and the light will automatically turn on during the night time after it has had an initial full 2 sunny days to charge.
- 2- The performance of the solar light will vary with the time of year. It will deliver more light when it has had a full day in the sun as opposed to a day in overcast weather.

Replacing the Batteries

- The AA Ni-Cad rechargeable batteries should be replaced when the light looks very dim within 3 hours of sunset after receiving full sun exposure during the day. Generally, this will occur after at least 12 months of use.

To replace the batteries:

- 1- Turn the light upside down. Turn the lower portion of the solar light clockwise to separate it from the top portion of the solar light.
- 2- Turn the lens column clockwise and remove.
- 3- Open the battery compartments.
- 4- Remove the old batteries, Make sure the new batteries are AA Ni-Cad rechargeable batteries.
- 5- Make sure that the batteries have been placed in the right directions so the polarity is correct.
- 6- Reassemble the unit by reversing the above procedure.

NOTE: Be careful not to twist or pull the wires or LED Bulbs during replacement of batteries.

TROUBLESHOOTING

- If your solar light does not come on at dusk, please try the following steps.
 - 1- Make sure that the solar light is not being affected by any other light source.
 - 2- Ensure the solar light is not positioned in the shade. Move its location if necessary.
 - 3- Be sure the switch is in the “ON” position.
 - 4- Check that the batteries are fresh and installed correctly.

MAINTENANCE

- Clean the solar module regularly with a damp towel to guarantee optimum performance of the solar photo sensor panel. Do not use any type of solvent for cleaning and be careful not to put too much pressure on the module while cleaning.
- To extend the life of your solar lights, it is recommended that these solar lights are stored indoors during winter months or any other period of extreme weather conditions.

GUARANTEE AND PARTS

This item is covered by a 90 days guarantee. This guarantee is valid for 90 days from time of purchase. If you experience problems with this product please contact 1-308-832-2070. If you need parts for this item you may also contact 1-308-832-2070 for very competitively priced parts for all of Cummins Tools needs.